

QSFP28-100G-DACFM

100Gbps QSFP28 to QSFP28 Direct Attach Cables

1M, 2M, 3M, 5M Reach



Product Features

- ❖ Compliant with SFF- 8665
- ❖ Up to 28.3125Gbps data rate per channel
- ❖ Up to 5m transmission
- ❖ Operating temperature: 0~70°C
- ❖ Single 3.3V power supply

- ❖ RoHS compliant
- ❖ Cost-effective copper solution
- ❖ Lowest total system power solution
- ❖ Lowest total system EMI solution
- ❖ Optimized design for Signal Integrity

Applications

- ❖ 100G Ethernet

Description

QSFP28 Direct Attach Cables are compliant with the SFF-8665 specifications. Various choices of wire gauge are available from 30 to 24 AWG with various choices of cable length (up to 5m).

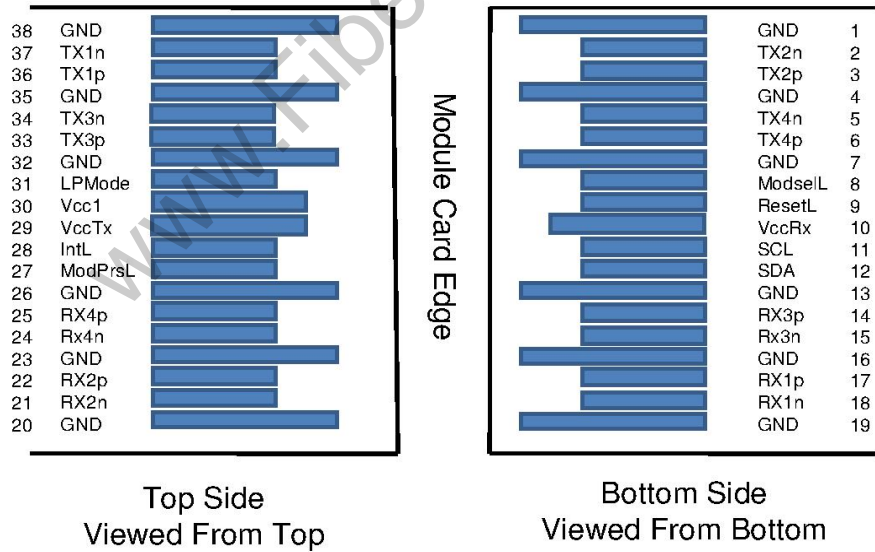
General Product Characteristics

QSFP+ DAC Specifications	
Number of Lanes	Tx & Rx
Channel Data Rate	28.3125 Gbps
Operating Temperature	0 to + 70°C
Storage Temperature	-40 to + 85°C
Supply Voltage	3.3 V nominal
Electrical Interface	38 pins edge connector
Management Interface	Serial, I ² C

High Speed Characteristics

Parameter	Symbol	Min	Typical	Max	Units	Notes
Differential Impedance	Zd	90	100	110	Ω	
Differential Input Return Loss	SDDXX	$< -12 + 2 * \text{SQRT}(f)$ with f in GHz			dB	0.01~4.1GHz
		$< -6.3 + 13 * \text{Log}_{10}(f/5.5)$ with f in GHz			dB	4.1~19GHz
Common Mode Output Return Loss	SCCXX	$< -7 + 1.6 * f$ with f in GHz			dB	0.01~12.89GHz
				-3	dB	12.89~19GHz
Difference Waveform Distortion Penalty	dWDPc			6.75	dB	
VMA Loss	L			4.4	dB	
VMA Loss to Crosstalk Ratio	VCR	32.5			dB	

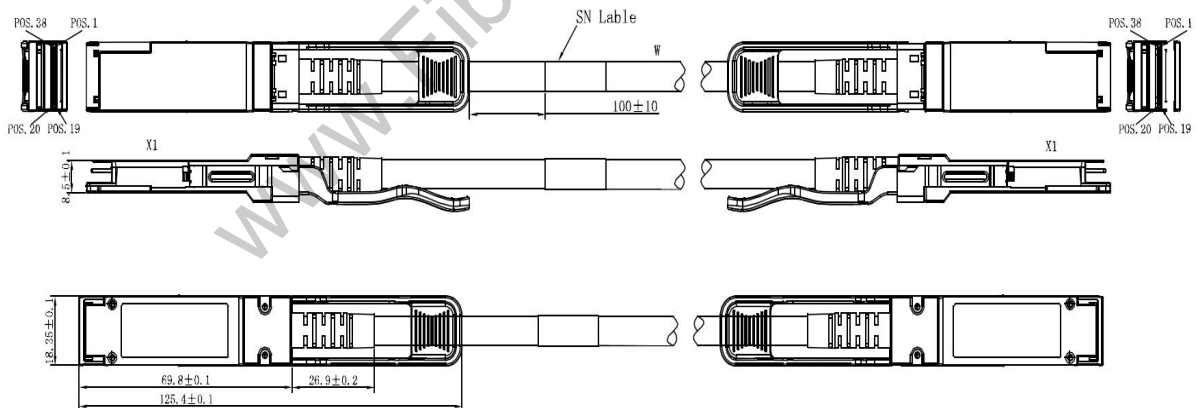
Pin Function Definition



Pin	Logic	Symbol	Description
1		GND	Ground
2	CML-I	Tx2n	Transmitter Inverted Data Input
3	CML-I	Tx2p	Transmitter Non-Inverted Data Input
4		GND	Ground
5	CML-I	Tx4n	Transmitter Inverted Data Input
6	CML-I	Tx4p	Transmitter Non-Inverted Data Input
7		GND	Ground
8	LVTTL-I	ModSelL	Module Select
9	LVTTL-I	ResetL	Module Reset
10		Vcc Rx	+3.3V Power Supply Receiver
11	LVCMOS-I/O	SCL	2-wire serial interface clock
12	LVCMOS-I/O	SDA	2-wire serial interface data
13		GND	Ground
14	CML-O	Rx3p	Receiver Non-Inverted Data Output
15	CML-O	Rx3n	Receiver Inverted Data Output
16		GND	Ground
17	CML-O	Rx1p	Receiver Non-Inverted Data Output
18	CML-O	Rx1n	Receiver Inverted Data Output
19		GND	Ground
20		GND	Ground
21	CML-O	Rx2n	Receiver Inverted Data Output
22	CML-O	Rx2p	Receiver Non-Inverted Data Output
23		GND	Ground
24	CML-O	Rx4n	Receiver Inverted Data Output
25	CML-O	Rx4p	Receiver Non-Inverted Data Output
26		GND	Ground
27	LVTTL-O	ModPrsL	Module Present
28	LVTTL-O	IntL	Interrupt

29		Vcc Tx	+3.3V Power supply transmitter
30		Vcc1	+3.3V Power supply
31	LVTTTL-I	LPMode	Low Power Mode
32		GND	Ground
33	CML-I	Tx3p	Transmitter Non-Inverted Data Input
34	CML-I	Tx3n	Transmitter Inverted Data Input
35		GND	Ground
36	CML-I	Tx1p	Transmitter Non-Inverted Data Input
37	CML-I	Tx1n	Transmitter Inverted Data Input
38		GND	Ground

Mechanical Dimensions



Ordering Information

Part Number	Product Description
QSFP28-100G-DAC1FM	100G QSFP28 Direct Attach Cable, 1m (3ft), AWG 30, 0° C ~ +70° C
QSFP28-100G-DAC2FM	100G QSFP28 Direct Attach Cable, 2m (7ft), AWG 26, 0° C ~ +70° C
QSFP28-100G-DAC3FM	100G QSFP28 Direct Attach Cable, 3m (10ft), AWG 26, 0° C ~ +70° C
QSFP28-100G-DAC5FM	100G QSFP28 Direct Attach Cable, 5m (16ft), AWG 26, 0° C ~ +70° C